

D6-6-850-5

Key features

Invisible Light $\lambda = 850\text{nm}$
Output Power = 5mW
Package Type = 5.6mm Φ

Applications

General Purpose Infrared Laser Light Source
Optical Communication & Infrared Laser Module for Industry Application
Military Application & Optical Sensor Application of Engineering Instruments

Electrical and Optical Characteristics at $T_c=25^\circ\text{C}$

Item	Symbols	Min.	Typ.	Max.	Unit	Condition
Optical Output Power	Po	-	5	-	mW	-
Threshold Current	Ith	5	10	20	mA	Po=5mW
Operating Current	Iop	15	20	30	mA	Po=5mW
Differential Efficiency	SE	0.4	0.7	0.9	mW/mA	Po=5mW
Monitor Current	Im	0.2	0.4	0.6	mA	Po=5mW
Operating Voltage	Vop	-	1.9	2.5	V	Po=5mW
Peak Wavelength	λ_p	845	850	855	nm	Po=5mW
Beam Divergence	$\theta_{//}$	7	9	12	deg	Po=5mW
	θ_{\perp}	25	32	40	deg	Po=5mW
Beam Deviation Angle	$\Delta\theta_{//}$	-2	-	2	deg	Po=5mW
	$\Delta\theta_{\perp}$	-3	-	3	deg	Po=5mW

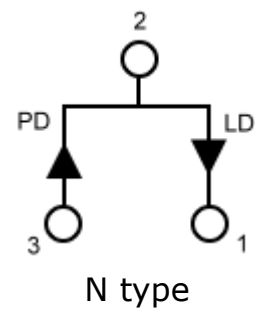
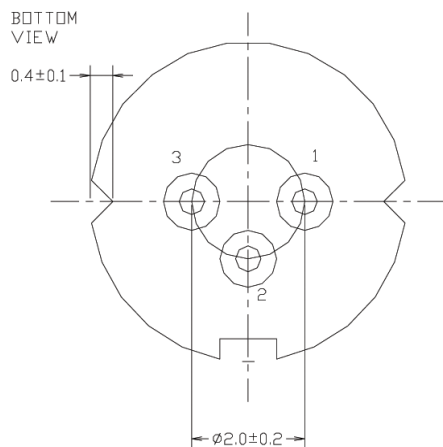
EGISMOS IR Laser Diode

Absolute Maximum Rating at Tc=25°C

Items	Symbols	Values	Unit
Optical Output Power	Po(CW)	7	mW
Laser Diode Reverse Voltage	V	2	V
Photo Diode Reverse Voltage	V	30	V
Operating Temperature	To	-10~+60	°C
Storage Temperature	Ts	-40~+85	°C

Electrical Connection

Package Type



Package Drawing

