

## D6-5-650-5

### Key features

Visible Light  $\lambda = 650\text{nm}$   
Output Power = 5mW  
Package Type= 5.6mm $\Phi$

### Applications

Laser Pointer & General Purpose Red Laser Light Source  
Bar Code Reader & High Precision Measuring Instruments  
Laser Module & High Precision Engineering Instruments

### Electrical and Optical Characteristics at $T_c = -25^\circ\text{C}$

| Item                 | Symbols                | Min. | Typ. | Max. | Unit | Condition |
|----------------------|------------------------|------|------|------|------|-----------|
| Optical Output Power | Po                     | -    | 5    | -    | mW   | -         |
| Threshold Current    | Ith                    | -    | 21   | 30   | mA   | Po=5mW    |
| Operating Current    | Iop                    | -    | 28   | 35   | mA   | Po=5mW    |
| Monitor Current      | Im                     | 0.1  | 0.2  | 0.5  | mA   | Po=5mW    |
| Operating Voltage    | Vop                    | -    | 2.2  | 2.6  | V    | Po=5mW    |
| Peak Wavelength      | $\lambda_p$            | 645  | 650  | 655  | nm   | Po=5mW    |
| Beam Divergence      | $\theta_{//}$          | 6    | 8    | 12   | deg  | Po=5mW    |
|                      | $\theta_{\perp}$       | 22   | 32   | 38   | deg  | Po=5mW    |
| Beam Deviation Angle | $\Delta\theta_{//}$    | -1.5 | -    | 1.5  | deg  | Po=5mW    |
|                      | $\Delta\theta_{\perp}$ | -2.5 | -    | 2.5  | deg  | Po=5mW    |

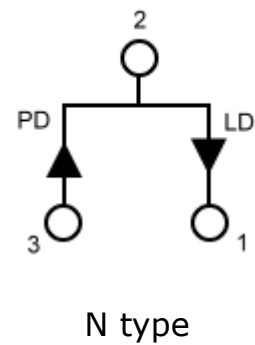
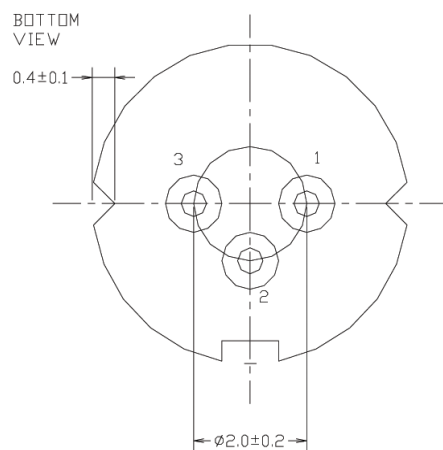
# EGISMOS Red Laser Diode

## Absolute Maximum Rating at Tc=25°C

| Items                       | Symbols | Values  | Unit |
|-----------------------------|---------|---------|------|
| Optical Output Power        | Po(CW)  | 6       | mW   |
| Laser Diode Reverse Voltage | V       | 2       | V    |
| Photo Diode Reverse Voltage | V       | 30      | V    |
| Operating Temperature       | To      | -10~+50 | °C   |
| Storage Temperature         | Ts      | -40~+85 | °C   |

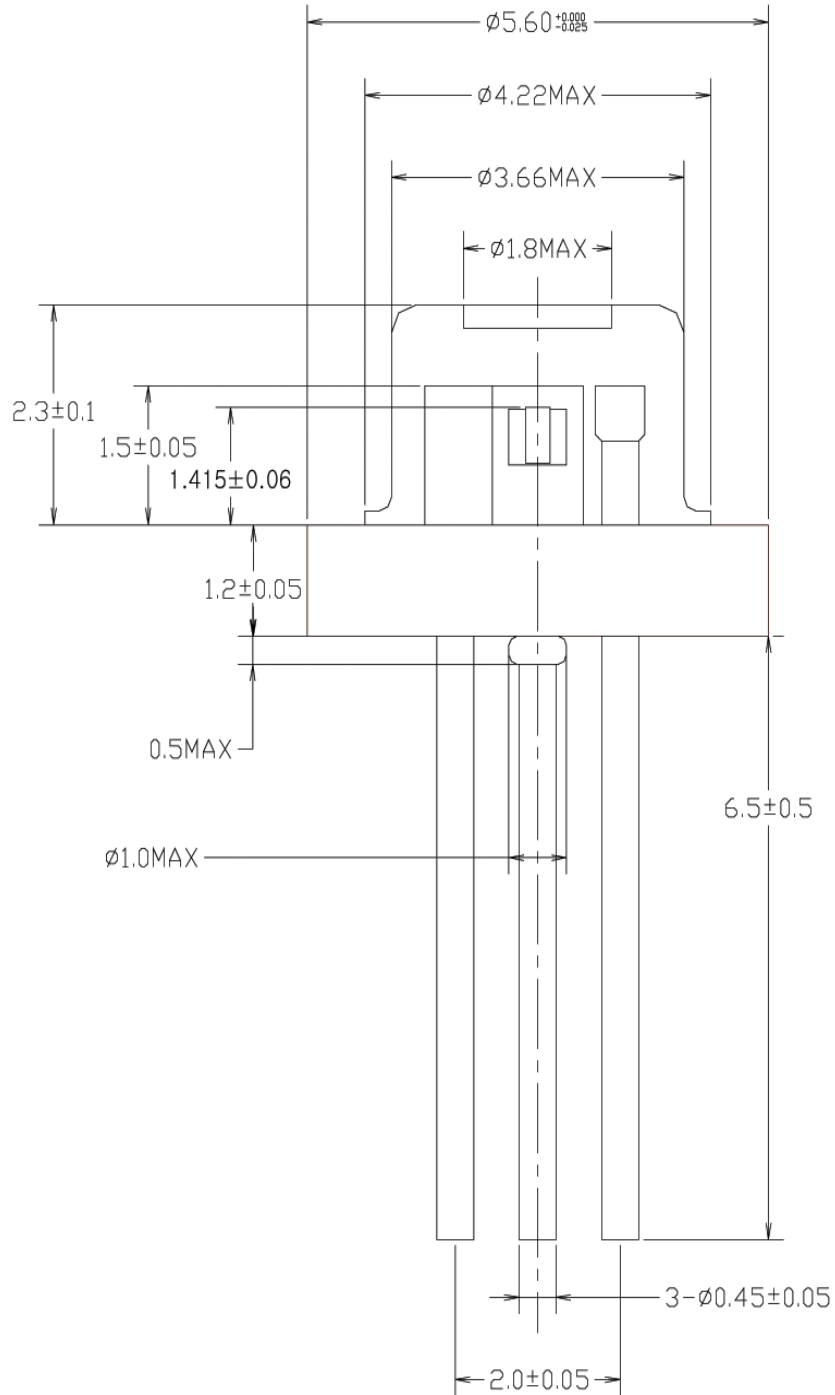
## Electrical Connection

## Package Type



# EGISMOS Red Laser Diode

## Package Drawing



D656505-a

**EGISMOS**

www.egismos.com  
TEL: +1-360-389-3347  
FAX: +1-360-326-7275  
sales@egismos.com