

D6-7-650-30

Key features

Visible Light $\lambda = 650\text{nm}$
Output Power = 30mW
Package Type= 5.6mm Φ

Applications

Laser Pointer & General Purpose Red Laser Light Source
Bar Code Reader & High Precision Measuring Instruments
Laser Module & High Precision Engineering Instruments

Electrical and Optical Characteristics at $T_c = -25^\circ\text{C}$

Item	Symbols	Min.	Typ.	Max.	Unit	Condition
Optical Output Power	Po	-	30	-	mW	-
Threshold Current	Ith	-	45	70	mA	Po=30mW
Operating Current	Iop	-	80	120	mA	Po=30mW
Differential Efficiency	SE	0.5	0.7	1.2	mW/mA	Po=30mW
Monitor Current	Im	0.01	0.35	1.5	mA	Po=30mW
Operating Voltage	Vop	-	2.7	3	V	Po=30mW
Peak Wavelength	λ_p	-	658	666	nm	Po=30mW
Beam Divergence	$\theta_{//}$	7	9.5	12	deg	Po=30mW
	θ_{\perp}	15	23	28	deg	Po=30mW
Beam Deviation Angle	$\Delta\theta_{//}$	-3	-	3	deg	Po=30mW
	$\Delta\theta_{\perp}$	-3	-	3	deg	Po=30mW

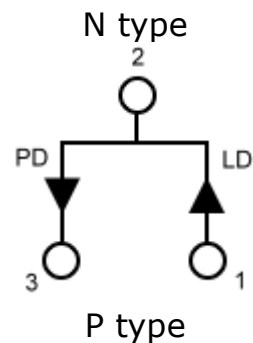
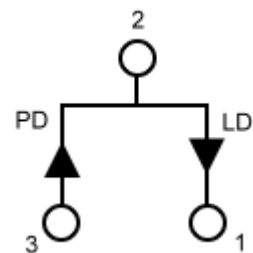
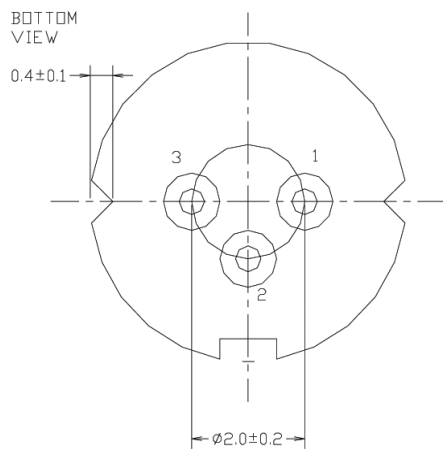
Egismos Red Laser Diode

Absolute Maximum Rating at Tc=25°C

Items	Symbols	Values	Unit
Optical Output Power	Po(CW)	30	mW
Laser Diode Reverse Voltage	V	2	V
Photo Diode Reverse Voltage	V	30	V
Operating Temperature	To	-10~+70	°C
Storage Temperature	Ts	-40~+85	°C

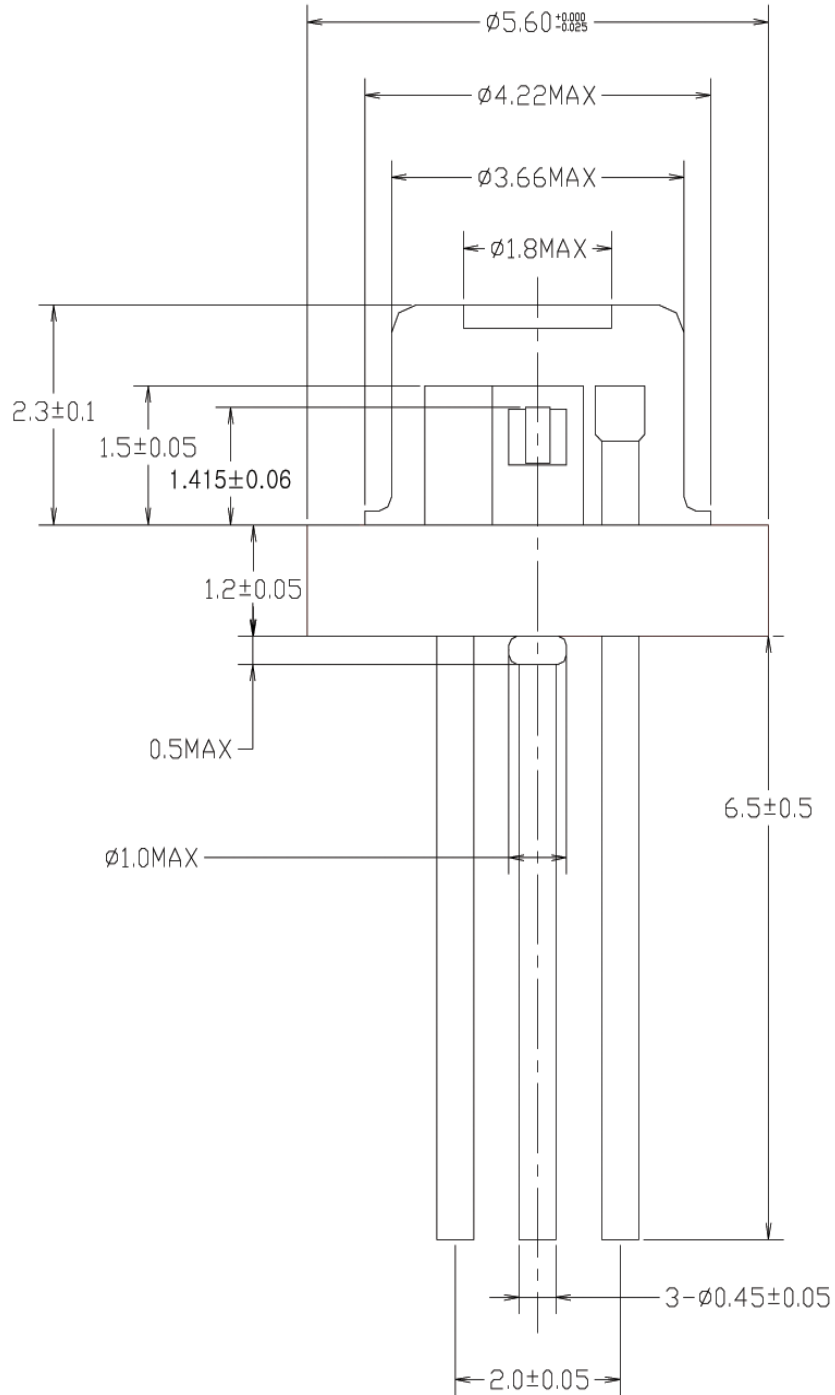
Electrical Connection

Package Type



EGISMOS Red Laser Diode

Package Drawing



D6765030-a

EGISMOS

www.egismos.com
TEL: +1-360-389-3347
FAX: +1-360-326-7275
sales@egismos.com