

# Egismos *DATASHEET*

**O1-CO-5.0-6.5-G**(CO507G)

**O1-CO-5.0-10-G**(CO510G)

**O1-CO-5.0-15-G**(CO515G)



## *Spherical Glass Collimator Key features*

*Collimated output beam for 400nm~800nm range*

*Traditional spherical glass lens production process*

*Small size for laser collimating*

*High temperature application to 200°C*

*High stability and reliability*

Part No./ Parameter	$\lambda$ (nm)	Dia. (mm)	Total Length CT+BFL (mm)	NA (for LD Beam Divergence Angle)	Smallest Beam Size (mm) at 1m	Smallest Beam Size (mm) at 10m
O1-CO-5.0-6.5-G (CO507G)	400~800	5.0	8.0	0.28 (31.2°)	2.0	18.0
O1-CO-5.0-10-G (CO510G)	400~800	5.0	11.5	0.20 (22.6°)	1.8	12.0
O1-CO-5.0-15-G (CO515G)	400~800	5.0	16.5	0.13 (14.8°)	1.6	8.0

## *Applications*

*Laser pointer collimating*

*DPSS green laser collimating (pair with concave lens)*

*Cost efficiency for high temperature collimating application*

## *Spherical Glass Laser Collimator Lens Solutions*

The spherical glass collimator is designed pair with the concave lenses O1-DV-5.0(DV5R5,DV5R3)series for DPSS laser collimating made by traditional glass polish technology. It has efficiency cost and high reliability advantages. Collimator lens produces an collimated beam by laser diode or DPSS laser.

The CO(collimator) - G series is traditional spherical glass collimator. They are useful in a variety of applications involving DPSS green laser, industrial laser module, laser pointer and optical system etc..

We provide several kinds of focal length for option and best technical service. eGgismos also provide the optics design and ODM/OEM service except the standard products as the data sheet list.

**Egismos**

<http://www.egismos.com>

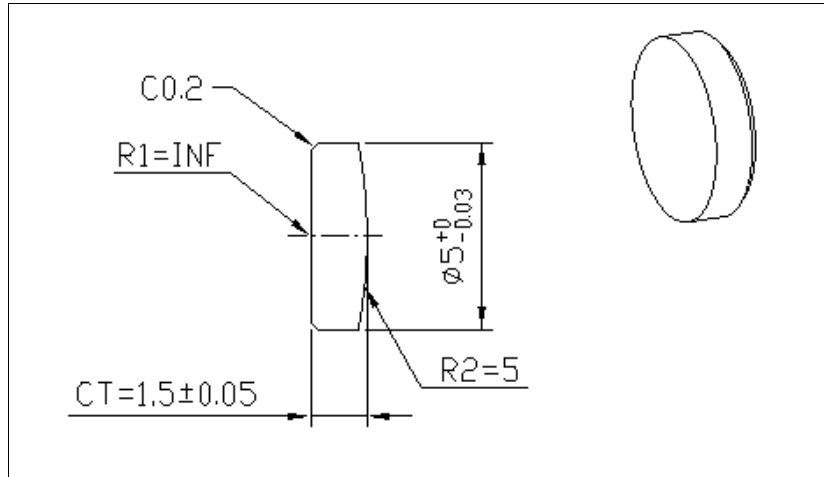
TEL:+1-888-3481454

FAX:+1-604-4339864

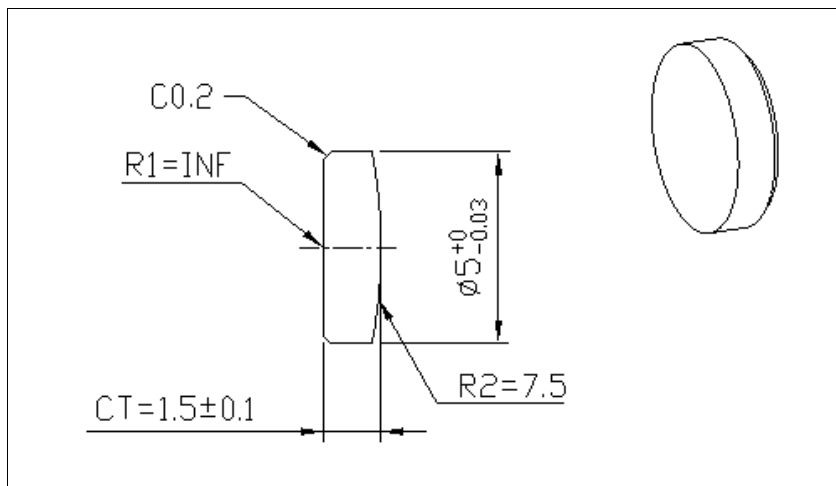
E-Mail:sales@eGismos.com

# EGISMOS *DATASHEET*

---



O1-CO-5.0-6.5-G (CO507G)



O1-CO-5.0-10-G (CO510G)

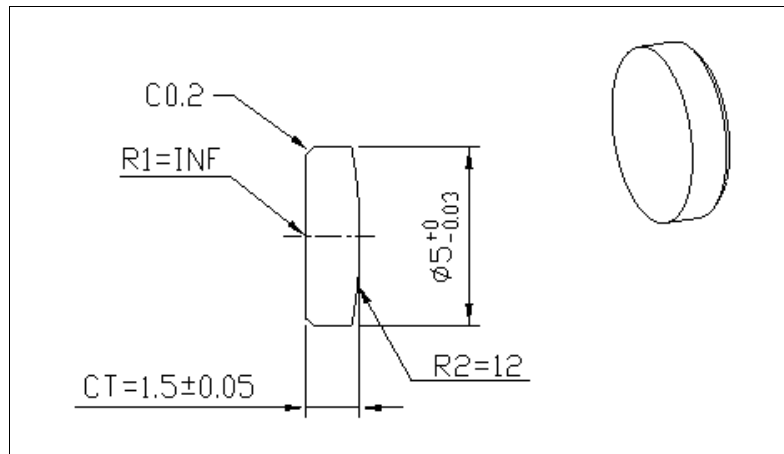
---

**EGISMOS**

<http://www.egismos.com>  
TEL:+1-888-3481454  
FAX:+1-604-4339864  
E-Mail:sales@eGismos.com

# Egismos *DATASHEET*

---



**O1-CO-5.0-15-G (CO515G)**

---

**Egismos**

<http://www.egismos.com>

TEL: +1-888-3481454

FAX: +1-604-4339864

E-Mail: [sales@egismos.com](mailto:sales@egismos.com)

# Egismos *DATASHEET*

## Specifications (typical @ $t_c=25^\circ\text{C}$ )

Item.	symbol	O1-CO-5.0-6.5-G (CO507G)	O1-CO-5.0-10-G (CO510G)	O1-CO-5.0-15-G (CO515G)
Material		BK7	BK7	BK7
Operating Wavelength	$\lambda$	400~800nm	400~800nm	400~800nm
Numerical Aperture	NA	0.28	0.20	0.13
Effective Focal Length	EFL	7.2mm	11.0mm	16.0mm
Working Distance (Back Focal Length)	WD BFL	6.5mm	10.0mm	15.0mm
Collimated Beam Size		~18mm at 10m	~12mm at 10m	~8mm at 10m
Collimated Beam Divergence		$\leq 2.0\text{mrad}$	$\leq 1.5\text{mrad}$	$\leq 1.0\text{mrad}$
Wave Front Error		$\leq 0.1\lambda$ (532nm)	$\leq 0.1\lambda$ (532nm)	$\leq 0.1\lambda$ (532nm)
Outer Diameter	OD ( $\phi$ )	5.0mm $\pm$ 0.03mm	5.0mm $\pm$ 0.03mm	5.0mm $\pm$ 0.03mm
Clear Aperture (Effective Diameter)	CA	4.8mm (R1)	4.8mm (R1)	4.8mm
Center Thickness	CT	1.50mm $\pm$ 0.01mm	1.50mm $\pm$ 0.01mm	1.50mm $\pm$ 0.01mm
Transmission (AR Coating)	Tr	$\geq 70\%$ (532nm) no coating	$\geq 95\%$ (532nm)	$\geq 95\%$ (532nm)
Operating Temperature		-40 °C to +200 °C	-40 °C to +200 °C	-40 °C to +200 °C
Storage Temperature		-60 °C to +240 °C	-60 °C to +240 °C	-60 °C to +240 °C
Surface Quality (Mill Standard)		80/60	80/60	80/60



**Egismos**

<http://www.egismos.com>

TEL: +1-888-3481454

FAX: +1-604-4339864

E-Mail: [sales@eGismos.com](mailto:sales@eGismos.com)