

## Double Concave Lenses

### Application :

DPSS green laser collimating (pair with collimating lens)  
Spreading light application

### Property :

Glass, Singlet lens, spheric surface

### Introduction :

The spherical double concave glass lenses are designed for spreading light application and also designed pair with the collimating lenses O1-5.0(CO507G,CO510G,CO515G) series for DPSS laser collimating made by traditional glass polish technology. Concave lens produces an expanding light beam by DPSS laser for collimating.

The DV(double concave) - G series is traditional spherical glass collimator. They are useful in a variety of applications involving DPSS green laser, expanding light, and optical system etc..

We provide several kinds for option and best technical service. Egismos also provide the optics design and ODM/OEM service except the standard products as the data sheet list.

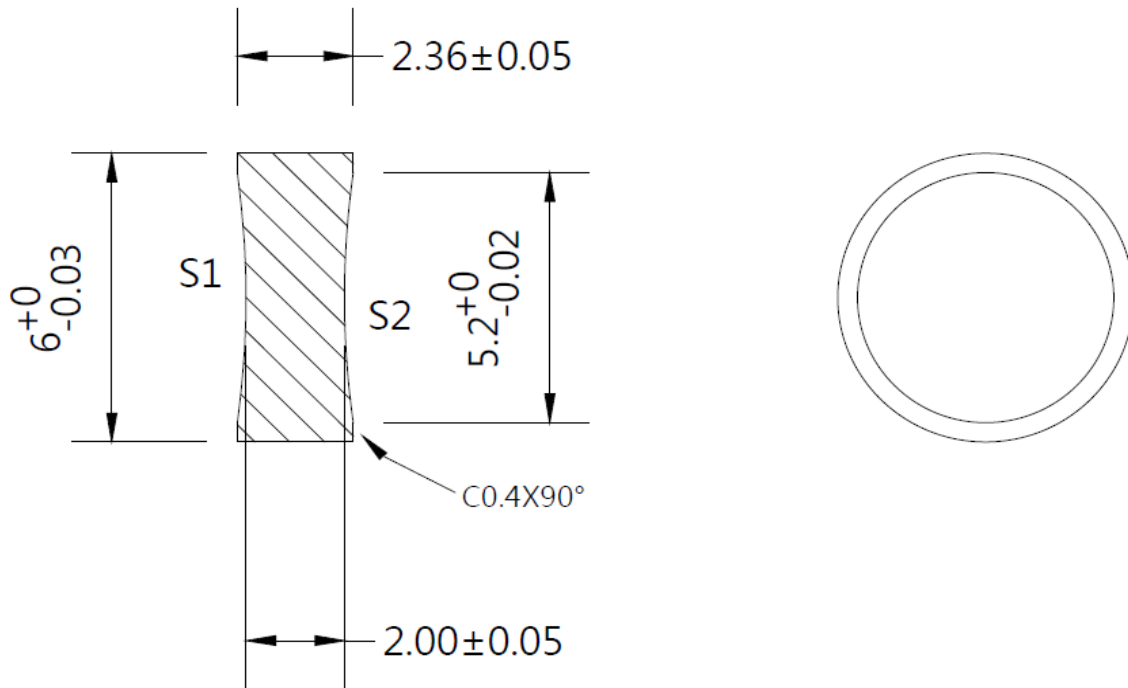
### Spherical Double Concave Lenses (Glass Lens) Key features :

Expand light for 375nm~1000nm range  
Traditional spherical glass lens production process  
Expand DPSS laser beam for collimating  
High temperature application to 200°C  
High stability and reliability



Part No./ Parameter	$\lambda$ (nm)	R(mm)	EFL(mm)	BFL(mm)	Material
O1-DV-6-18-G	375~1000	18.99	18	18.6	BK7

O1-DV-6-18-G



Specifications [typical @tc=25°C]

Item.	symbol	
Material		BK7
Operating Wavelength	$\lambda$	375~1000nm
Focal Length	f	18
BFL		18.6
Radius (R1=R2)	R	18.99
Outer Diameter	OD ( $\Phi$ )	6.00mm +0/-0.03mm
Clear Aperture (Effective Diameter)	CA	S1 $\Phi$ 6.0mm+0/-0.03mm / S2 $\Phi$ 5.2mm+0/-0.02mm
Center Thickness	CT	2.00±0.05mm
Edge Thickness	ET	2.36mm±0.05mm
Transmission (AR Coating)	T(ave)	>98% (375nm-900nm)
Operating Temperature		-40 °Cto +200 °C
Storage Temperature		-60 °Cto +240 °C
Surface Quality (Mill Standard)		60/40

